



LEADSUN

EST. 2005

ALWAYS DEPENDABLE

SMART PUBLIC SOLAR LIGHTING

AE3 Series

- Flexible installation
- Sleek & modular design
- 10 + year battery performance

Leadsun's AE3 series is available in either a sleek looking All-In-One model, or a Split system design with a separated solar & battery module that easily connects to a LED light head with built-in motion sensor.

The split unit is the world's first **International Dark Sky** approved solar lighting product. It's design guarantees perfect PV (photo-voltaic) solar orientation for optimum daytime charging and ensures layered LED light distribution without emitting any upward light pollution.

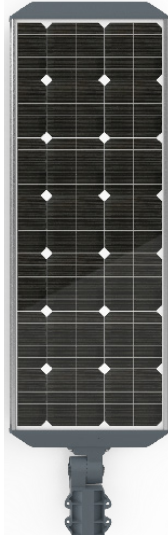
All-In-One Model

(For North facing solar PV orientation)



Split Model

(Universal installation & Dark Sky approved)



The AE3 system is wholly modular with all electronic components integrated within either a 60W or 90W sized mono-crystalline solar module which also contains an ingenious and patented dual battery system that provides double the life span compared to traditional solar lights.

A programmable controller and smart-eye motion sensor enables responsive and autonomous dimming of the LED throughout the night delivering high quality illumination where and when you need it the most.

Installed with a lowerable pole, the AE3 series becomes a set-and-forget system solution that can be installed in a matter of minutes.

Features

Options	All-In-One or Split
Design	Modular with Fully integrated components
Dark-sky Approval	Split model only
Solar Module	60W/90W Mono-crystalline
Installation Pole	Plug & Play wiring Double hot-dipped galvanised. Hinged easy lowering option
Battery	Dual LiFePO4 with patented battery management system
Control	EDGE wireless (Optional), Programmable, adaptive lighting with PIR dimming
Applications	Pathways, streets, small car parks



PIRMOTION SENSOR



Unlimited Warranty



Lithium-Ion Battery System



Monocrystalline Solar Module



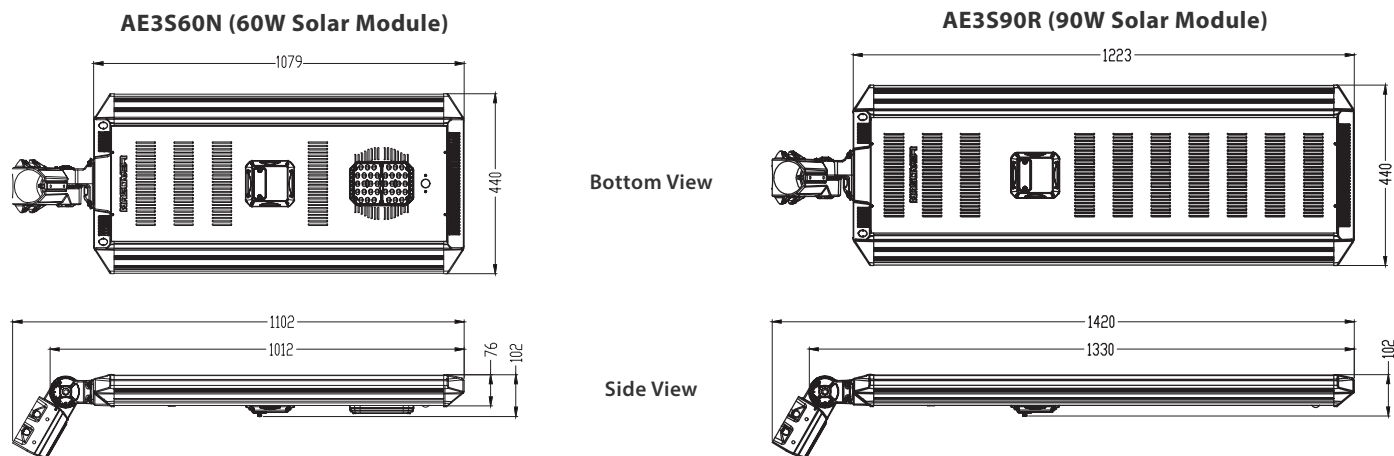
Advanced LED Lighting System



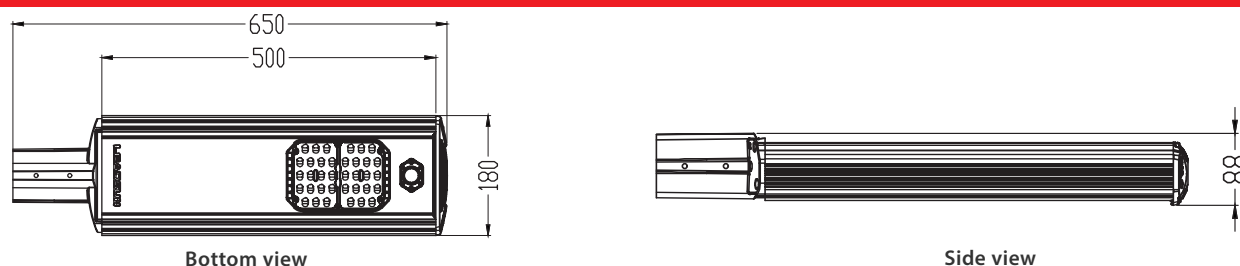
SMART Controller

CE | IP66 | IK08

SOLAR ENGINE MODULE DIMENSIONS (mm)



LED LIGHT HEAD DIMENSIONS (mm)



SOLAR ENGINE TECHNICAL DATA

Model No.	AE3S60N	AE3S90R
Physical Parameters		
Solar module power output (W)	60	90
Lithium battery capacity (Wh)	2 x 154Wh (308Wh)	2 x 308Wh (616Wh)
Net weight of product (kg)	15.3	19.6
Product dimension (mm)	1079(L) × 440(W) × 102(D)	1421(L) × 440(W) × 102(D)
Pole mounting diameter (mm)	55 - 76	55 - 76
System wind speed rating (kph)	178	178
Technical & Operating Parameters		
Battery voltage & cycle life	12.8Vdc/ >5000 cycles	12.8Vdc/ >5000 cycles
Battery charging temperature range	0°C-60°C	0°C-60°C
Battery discharging temperature range	-20°C-60°C	-20°C-60°C
Controller type	PWM (Programmable via USB)	PWM (Programmable via USB)
Wireless control & monitoring option	Optional	Optional
Photoelectric switch on/off level (lx)	30	30

LED LIGHTHEAD TECHNICAL DATA

Model No.	L3SS10-20	L3SS30-20
Physical Parameters		
Net weight of product (kg)	3.8	3.8
Dimension of product (mm)	680(L) × 128(W) × 74(D)	680(L) × 128(W) × 74(D)
Pole mounting diameter (mm)	60 - 90	60 - 90
Technical & Operating Parameters		
Light output (W)	10	30
LED colour temperature (K)	3000	3000
LED typical luminous flux (lm)	1800	5400
Motion sensor type	Passive Infra Red	Passive Infra Red
LED distribution type	T2/T3	T2/T3

Note: IDA certification requires 3000K CCT or lower and the fixture to be mounted at 90°

Leadsun Australia Pty Ltd | 42 Greens Rd, Dandenong Sth, VIC 3175 | sales@leadsun.com.au | 1300 532 378 (1300 Leadsun) | leadsun.com.au



LEADSUN

ALWAYS DEPENDABLE

EST. 2005

DS AE3 60 90W 211013