



# LEADSUN

EST. 2005

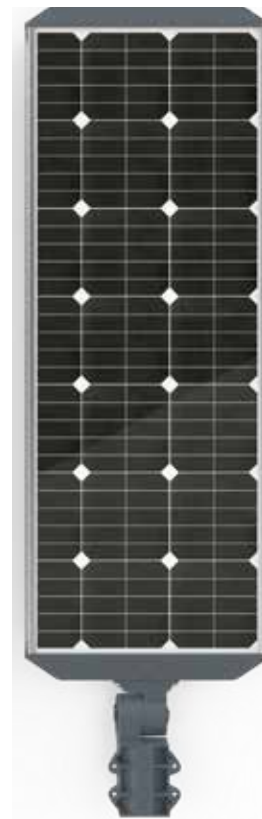
## AE3 Series

### Affordable lighting for medium-sized to large areas



#### All-In-One Model

North/South installations only



#### Split Model

Multi-directional installations



Featuring solar panels ranging from 55 to 80W with a battery capacity of up to 460Wh, the AE3 system is perfect for lighting medium-sized to large public areas such as car parks, recreational reserves, shared pathways and residential streets. Mono-crystalline PV modules optimise solar energy capture and a Pulse-Width Modulation (PWM) smart-controller enables smooth and responsive dimming via activation of the built-in motion-sensor. Added to this, the pre-programmed LED power output enables the use of smaller solar panels and batteries whilst still providing ample light when required. The solar module integrates all the key electronic components including an innovative dual LiFePO4 lithium-ion battery system that withstands frequent charging & discharging cycles, delivering sustained and reliable power throughout the night. Best-in-class LED chips ensure bright and crisp illumination for up to 15 years.

This is a set-and-forget standalone solution.

Leadsun's AE3 series is wholly modular, making maintenance and upgrading quick, easy and affordable. Combine it with a lowerable pole, and installation becomes a two-man job done in a matter of minutes.



Lithium-Ion  
Battery System



SMART  
Controller



Monocrystalline  
Solar Module



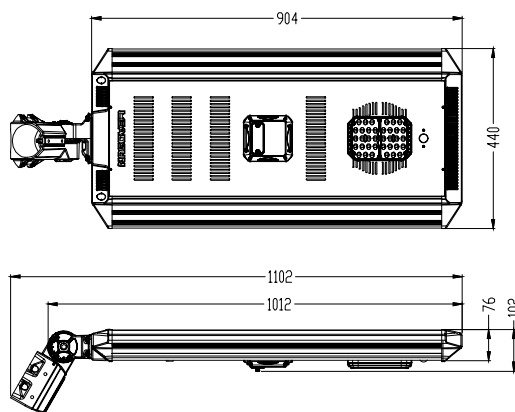
Advanced LED  
Lighting System



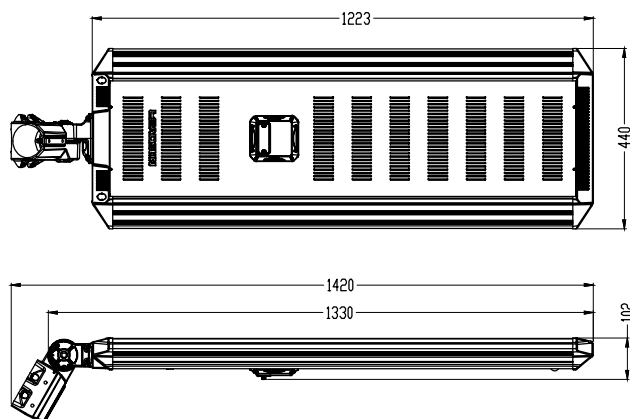
5 Year  
Warranty

# SOLAR ENGINE MODULE DIMENSIONS (mm)

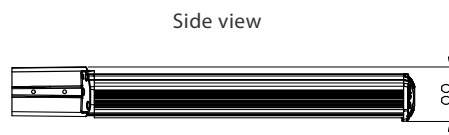
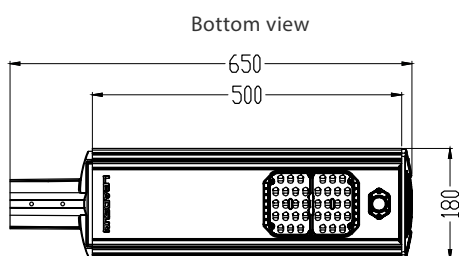
**AE3S55N (55W Solar Module)**



**AE3S80P (80W Solar Module)**



## LED LIGHT HEAD DIMENSIONS (mm)



## SOLAR ENGINE TECHNICAL DATA

Model No.	AE3S55N	AE3S80P
Physical Parameters		
Solar module power output (W)	55	80
Lithium battery capacity (Wh)	2 x 154Wh (308Wh)	2 x 230Wh (460Wh)
Net weight of product (kg)	14.9	18.5
Product dimension (mm)	1000(L) x 440(W) x 70(D)	1330(L) x 440(W) x 76(D)
Pole mounting diameter (mm)	55 - 76	55 - 76
System wind speed rating (kph)	178	178
Technical & Operating Parameters		
Battery voltage & cycle life	12.8Vdc / 3000 cycles	12.8Vdc / 3000 cycles
Battery charging temperature range	0°C-60°C	0°C-60°C
Battery discharging temperature range	-20°C-60°C	-20°C-60°C
Controller type	PWM (Programmable via USB)	PWM (Programmable via USB)
Wireless control & monitoring option	Optional	Optional
Photoelectric switch on/off level (lx)	30	30

## LED LIGHTHEAD TECHNICAL DATA

Model No.	LSRM12-B2	LSRM12-F2
Physical Parameters		
Net weight of product (kg)	3.6	3.8
Dimension of product (mm)	680(L) x 128(W) x 74(D)	680(L) x 128(W) x 74(D)
Pole mounting diameter (mm)	60 - 90	60 - 90
Technical & Operating Parameters		
Light output (W)	10	30
LED colour temperature (K)	5000	5000
LED typical luminous flux (lm)	1500	4500
Motion sensor type	Passive Infra Red	Passive Infra Red
LED distribution type	T3	T3